



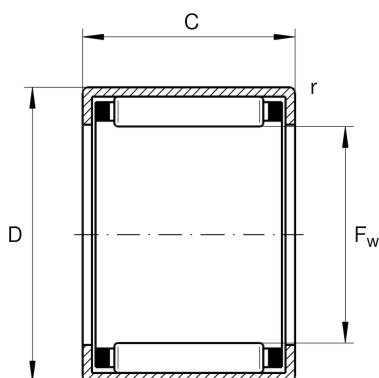
## HK0709

Drawn cup needle roller bearing open end

Schaeffler ID:  
0011976060000

Drawn cup needle roller bearings with open ends HK, to DIN 618/ISO 3245

### Technical information



#### Main Dimensions & Performance Data

$F_w$	7 mm	Under roller diameter
$D$	11 mm	Outside diameter
$C$	9 mm	Width
$C_r$	3,100 N	Basic dynamic load rating, radial
$C_{0r}$	2,950 N	Basic static load rating, radial
$C_{ur}$	360 N	Fatigue load limit, radial
$n_G$	33,000 1/min	Limiting speed
$n_{G \text{ Grease}}$	19,800 1/min	Limiting speed for grease lubrication
$n_{gr}$	26,500 1/min	Reference speed
	2.49 g	Weight

#### Dimensions

	GR7X11X2	Sealing ring
$C_1$	9 mm	Width, outer ring
$r_{min}$	0.4 mm	Minimum chamfer dimension

#### Temperature range

$T_{min}$	-30 °C	Operating temperature min.
$T_{max}$	140 °C	Operating temperature max.